

glass towel dryer

ONYX™

Instruction

Dear Customer!

You have purchased an ONYX infrared towel dryer, and are making an effective contribution to help the environment. This manual contains important information about the safety installation, use and maintenance of the towel dryer. Please, read it carefully before use, and save it for future reference.

Function

ONYX is an infrared towel dryer with a heater function. To enjoy the comfortable warmth of the heater function to its fullest, we recommend you to install a high-quality control (thermostat). Please, contact a specialized dealer or service company in your region.

Safety instruction

1. The installation of the towel dryer may only be done by a specialized installation company taking into account the appropriate standards and norms of the country concerned.
2. The rails provided should be used for drying towels. DO NOT cover the heating panel to avoid overheating.
3. Please observe recommended spacing around the towel dryer
 - 50 cm away from the front
 - 20 cm from the sides
 - 10 cm from top and bottom
4. Mounting brackets provided can only be used to install a towel dryer on a brick or stone wall.
5. In case of dismantling or cleaning, let the appliance cool down.
6. This appliance can be used by children aged from 8 years and above and persons with reduced physical, sensory and mental capabilities or lack of experience and knowledge, if they have been given supervision or instruction concerning use of the appliance in a safe way and understand the hazards involved. Children shall not play with the appliance. Cleaning and user maintenance shall not be made by children without supervision. For all ONYX towel dryers, please observe the following installation instructions.

Warning

This appliance is intended only for drying textiles washed in water.

In order to avoid a hazard for very young children, this appliance should be installed so that the lowest heated rail is at least 600 mm above the floor.

If the supply cord is damaged, it must be replaced by the manufacturer, its service agent or similarly qualified persons in order to avoid hazards. Do not use the appliance if the cord is damaged.

Cleaning and care

Do not use harsh, abrasive or easily inflammable detergents.

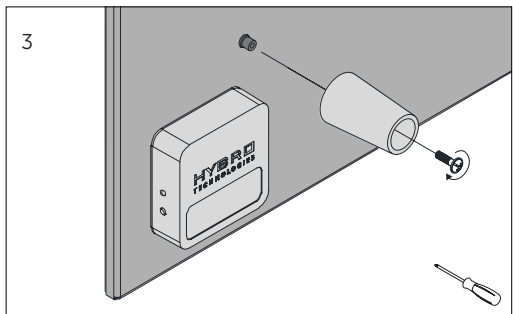
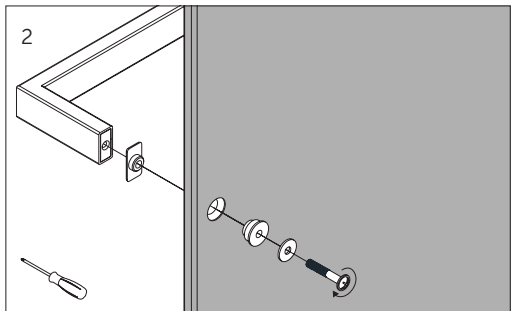
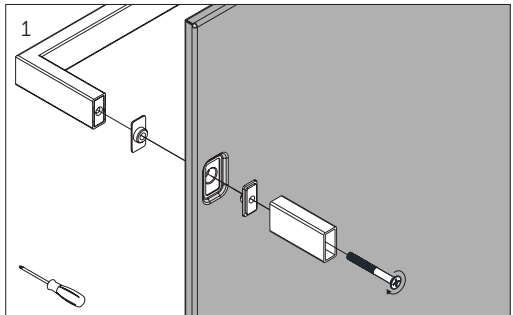
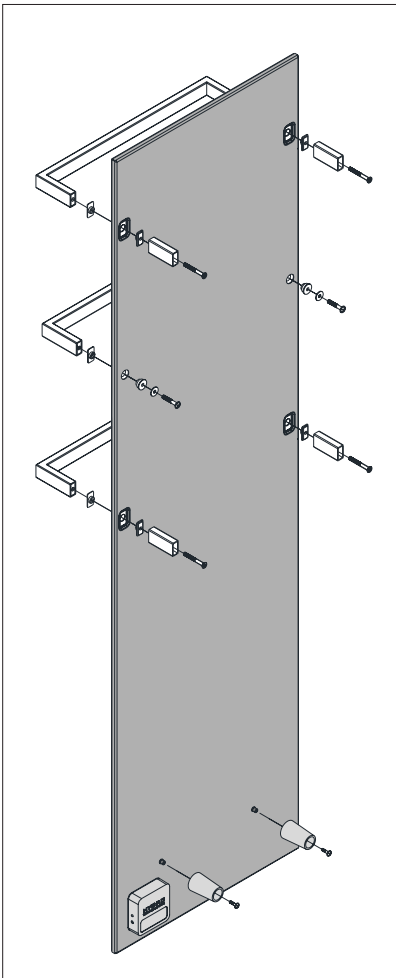
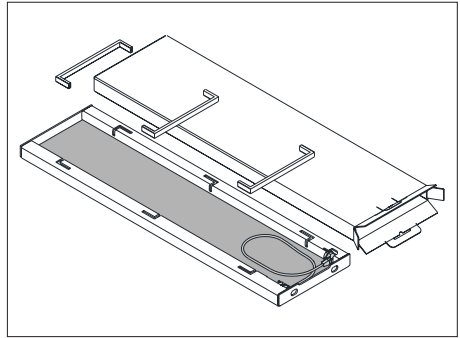
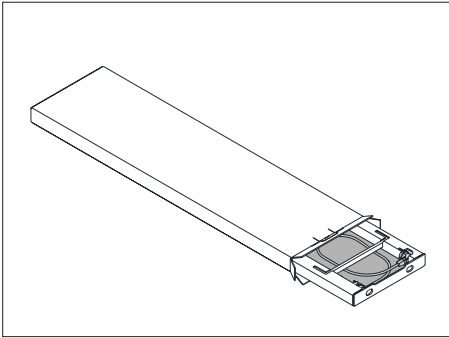
Never clean the appliance under running water, nor submerge in water.

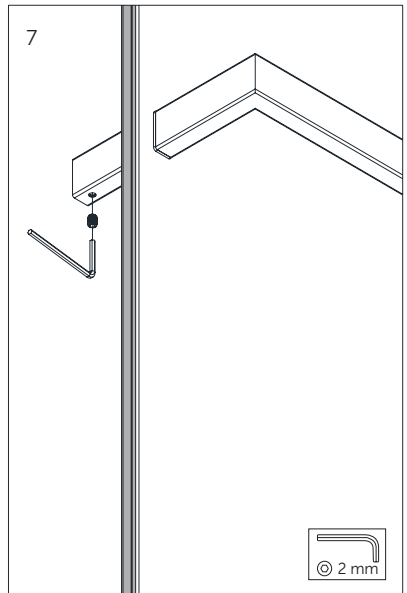
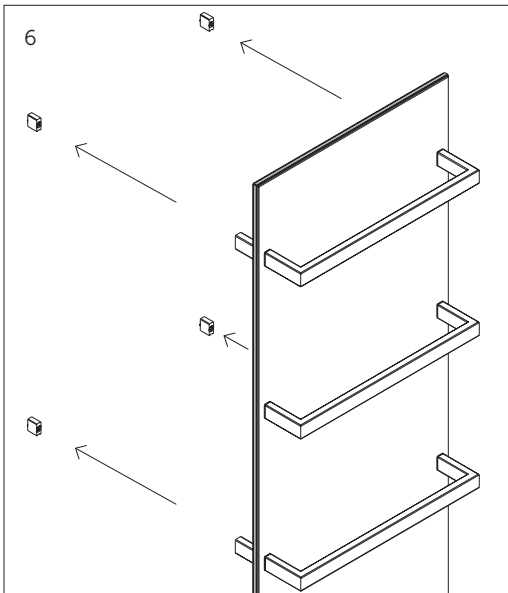
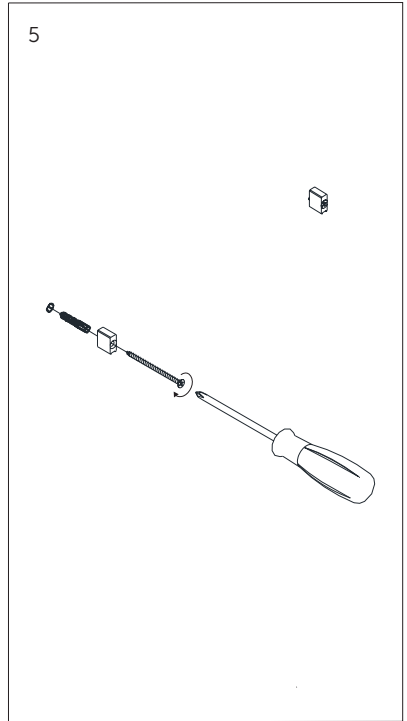
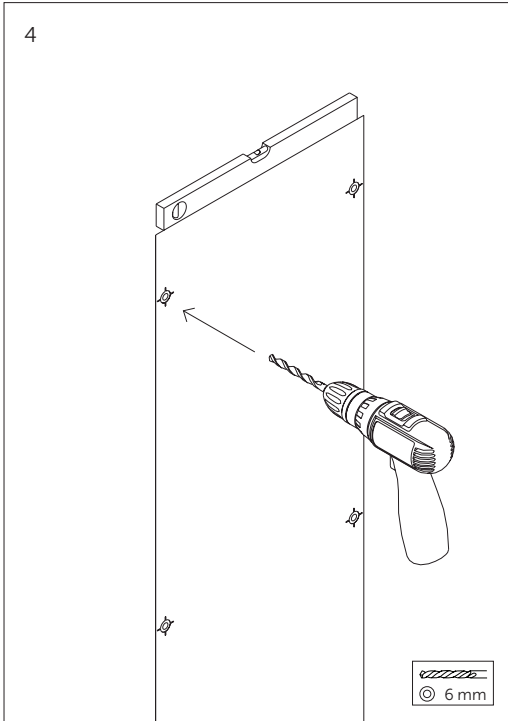
Warranty

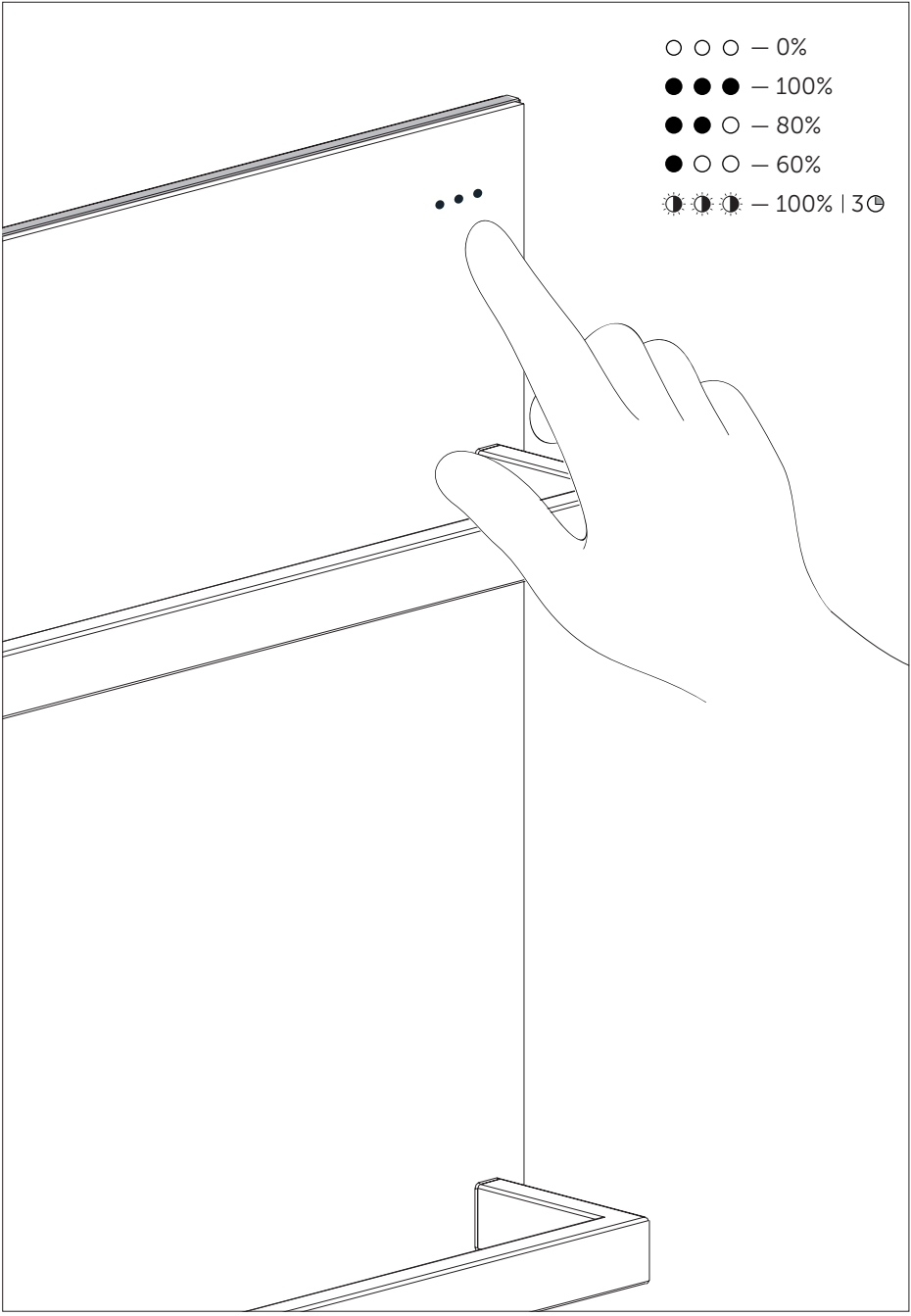
We provide a 60-month-warranty for the appliance and 12-month-warranty for the internal thermostat, starting from the date of purchase.

This warranty does not refer to defects caused during transit, faulty use, water ingress, or other external factors.

In case of defect, please contact our service center with invoice or delivery note number, warranty card, and date of purchase.







○ ○ ○ — 0%

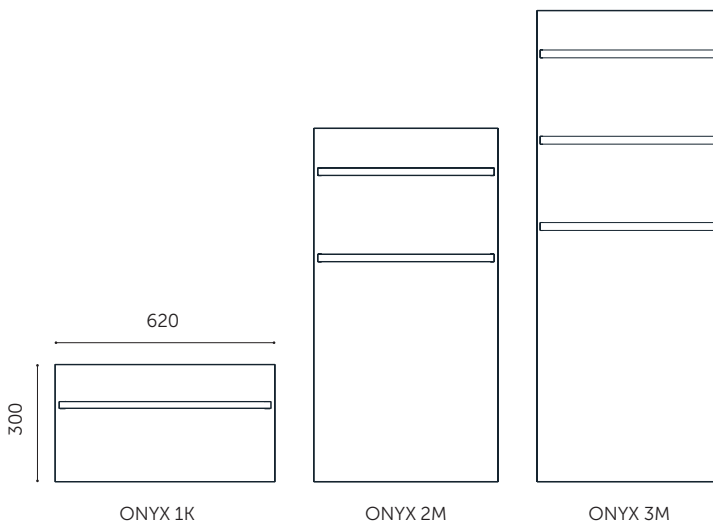
● ● ● — 100%

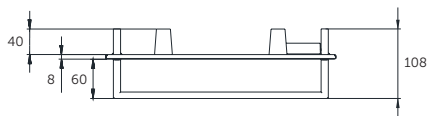
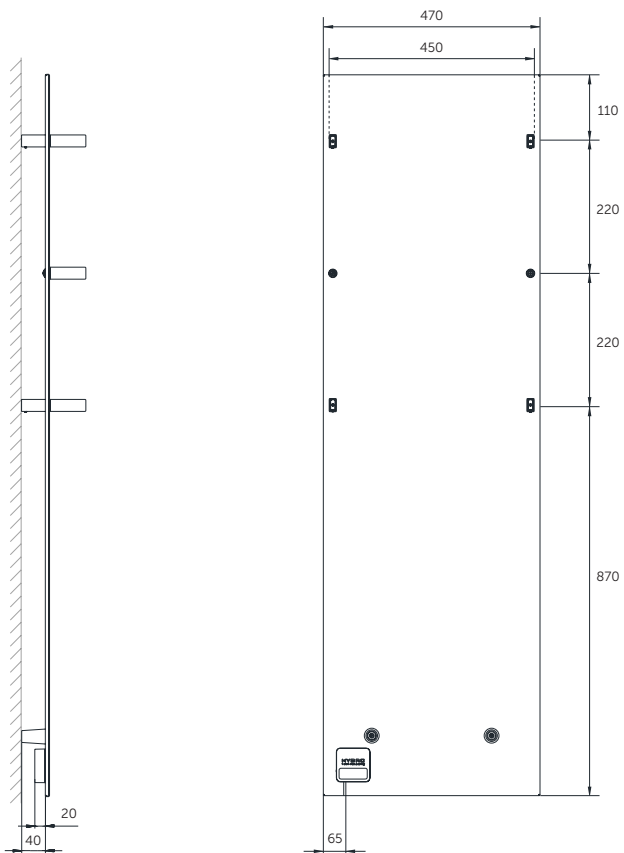
● ● ○ — 80%

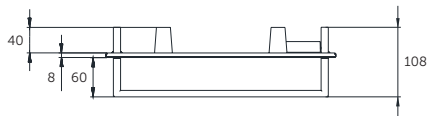
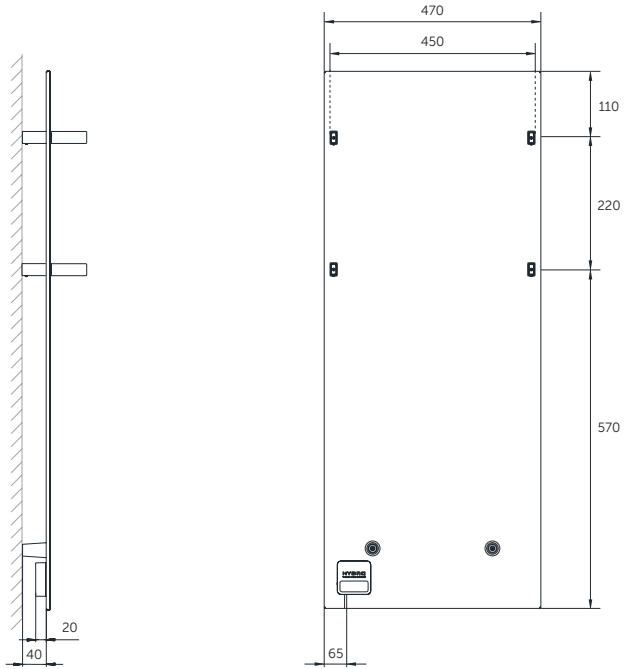
● ○ ○ — 60%

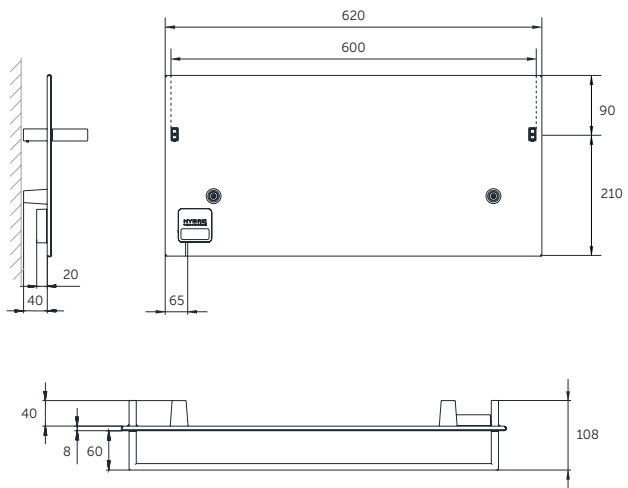
○ ○ ○ — 100% | 30

	W	V	D (mm)	Hz	A	Kg	IP
ONYX 1K	160	230	300 x 620 x 8	50-60	0,7	4	55
ONYX 1S	160	230	600 x 320 x 8	50-60	0,7	4	55
ONYX 1L	160	230	300 x 620 x 8	50-60	0,7	4	55
ONYX 2M	350	230	900 x 470 x 8	50-60	1,5	8	55
ONYX 3S	320	230	1200 x 320 x 8	50-60	1,4	8	55
ONYX 3M	470	230	1200 x 470 x 8	50-60	2,0	11	55
ONYX 3L	620	230	1200 x 620 x 8	50-60	2,7	14	55









ONYX _____ N° _____

_____ . _____ . _____

 _____

 _____
